

# No-Drill Blinds Headrail



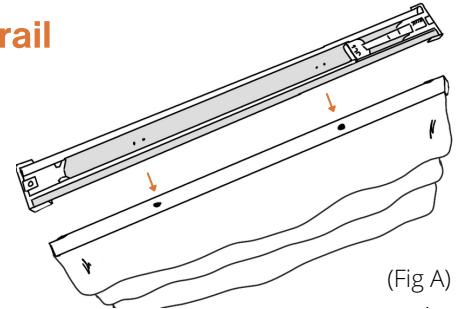
The difficulty level of this installation is ranked at **Level 1**. *A piece of cake!*

If you have questions or get stuck, call our Customer Care Team at 888-257-1840, or email [customer@selectblinds.com](mailto:customer@selectblinds.com)

## Remove the No-Drill Blinds Headrail

The No-Drill Blinds Headrail will already be installed onto the existing product headrail.

Remove the product from the headrail (See Fig A), which will vary from product and depend on lift type.

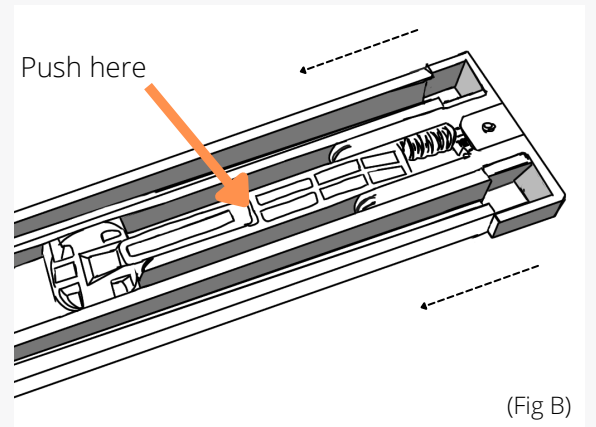


(Fig A)

## 1. Preparing the No Drill Blinds Headrail

Pull the lever from below or push down on the mechanism from above to retract the tension boot (See Fig B).

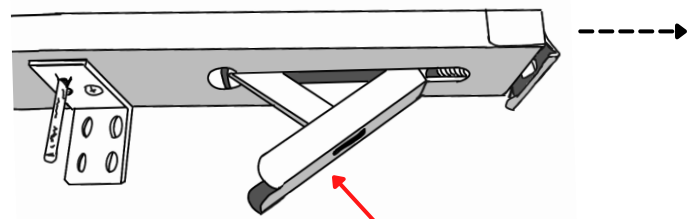
Install the metal strips or padded adhesive tape on opposite sides of the window opening where you'll be installing the No-Drill Blinds Headrail. This is optional and only available on larger products.



(Fig B)

## 2. Installing the No Drill Blinds Headrail

Insert the No-Drill Blinds Headrail into the window opening, make it flush with the top of the window opening, then push on the lever to extend the tension spring and secure the No-Drill Blinds Headrail. (See Fig C)

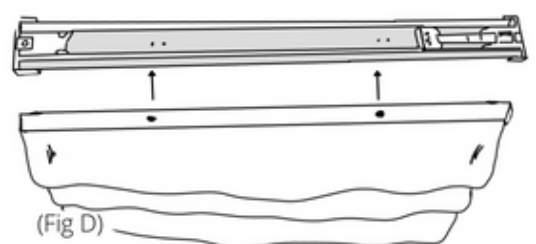


Push the lever in here to extend the spring end.

(Fig C)

## 3. Installing the Product

Install the product onto the brackets (See Fig D). Test and operate the product to ensure secure installation and smooth functionality.

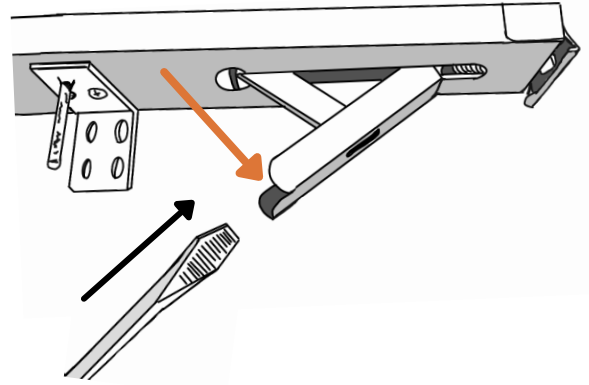


(Fig D)

## Uninstalling the No Drill Blinds Headrail

To uninstall the product, follow step 1 by removing the product from the headrail and use a screwdriver to unlatch the lever.

Make sure to hold the No Drill Blinds Headrail in place while unlatching the lever. This will prevent damage to the window or headrail.



## Tech Tip

If the fixed boot end was accidentally forced out, use a flathead screwdriver to twist the red "droplets" towards the center and then push it back in.

